

**BRNO REGION
MICROSCOPY**

Talent Support: Current Opportunities

August 2024



CEITEC PhD School

Study Programmes

Brno, Czech Republic

LIFE SCIENCES

BIOMEDICAL SCIENCES

Molecular Medicine



4-year
study programmes



Above-standard
funding



Coursework in hard/soft/
transferable skills
and bioinformatics



State-of-the-art
core facilities



International
and interdisciplinary
environment



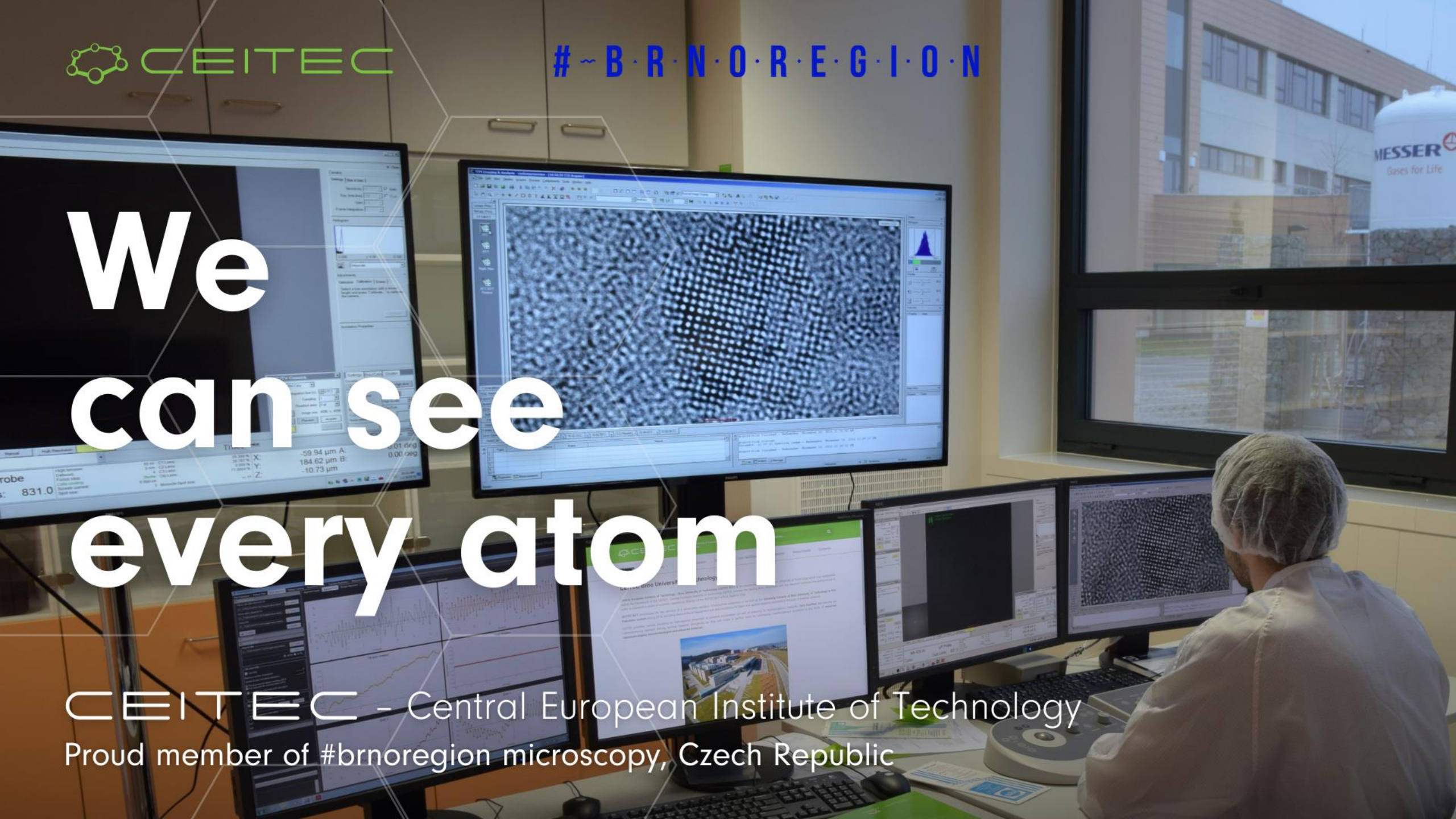
Vibrant campus life with
many events tailored
for PhD students

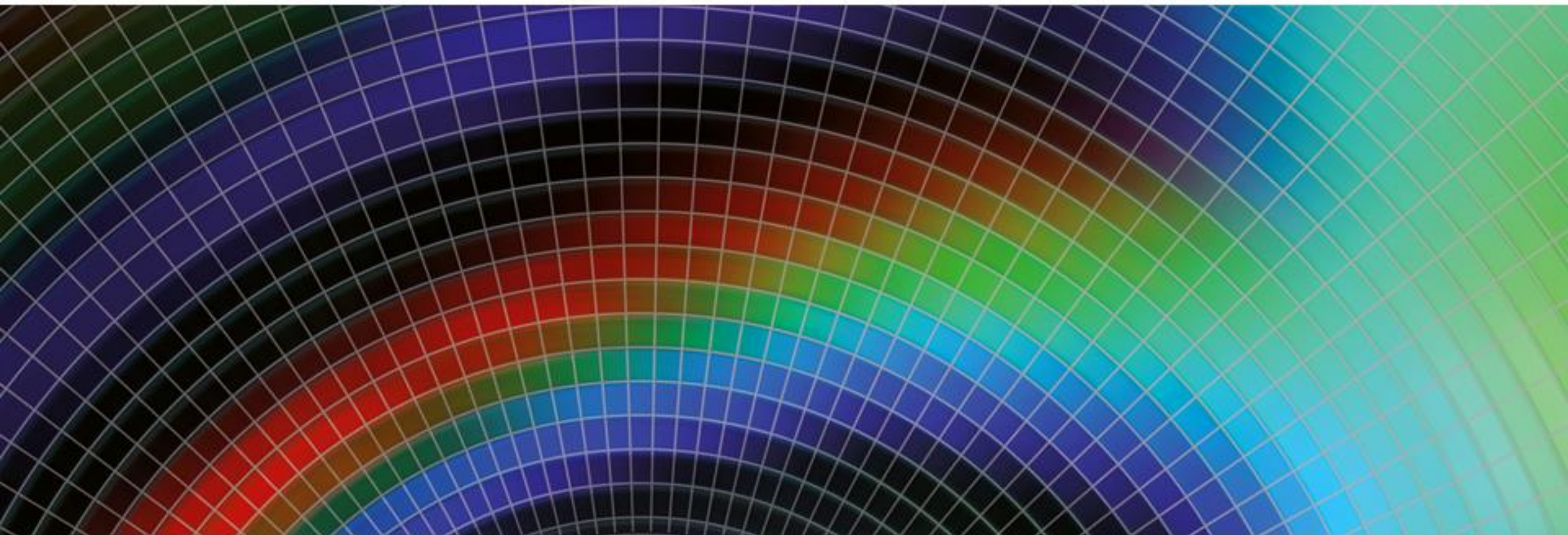
www.ls-phd.ceitec.cz



We can see every atom

CEITEC - Central European Institute of Technology
Proud member of #brnoregion microscopy, Czech Republic





About Institute of Scientific Instruments of the CAS

Main areas of ISI research are

- magnetic resonance,
- electron microscopy and microanalysis,
- utilization of lasers,
- acquisition and processing of biosignals,
- construction of scientific instruments and their parts,
- improvement and utilization of special technologies.

Activity of ISI

- contributes to raising the level of knowledge and education,
- contributes to the utilization of the results of the scientific research,
- acquires, processes and disseminates scientific information,
- issues scientific publications,
- provides scientific assessments, professional opinions, and recommendations,
- provides consulting and advisory services.

ISI cooperates with

- universities within doctoral study programmes and training of young scientists,
- foreign institutions within joint research projects, exchange of scientific information, and organization of scientific meetings,
- other research and professional institutions,
- partners from industry.

Cooperation with Radius Centre



Internships for bachelor/ masters/ PhD. students in the Czech Republic – at the Czech Academy of Sciences institutes and at partnering companies from the private sector.

Key areas of internships: AI, biotechnologies, physics, material engineering, management

More than 80 internships realized in 2022-2024

Since the beginning of 2024, 32 interns have joined our program

Interconnection and cooperation: students and scientists, researchers, developers, specialists

Enabling everyone to learn from each other and moreover, to help students to start their careers

Focus on practical experience

Local and international cooperation

22 member organizations



Radius Centre
within reach of knowledge

Website



Radius Centre
within reach of knowledge

Contact:
kariera@fzu.cz

STRATEGIE AV21

Špičkový výzkum ve veřejném zájmu

INSTITUTE OF SCIENTIFIC INSTRUMENTS
The Czech Academy of Sciences

Instagram



FM TUL



Center of Applied
Research and Development
for Additive Manufacturing



Ústav pro
hydrodynamiku
AV ČR, v. v. i.



Jihočeská univerzita
v Českých Budějovicích
University of South Bohemia
in České Budějovice

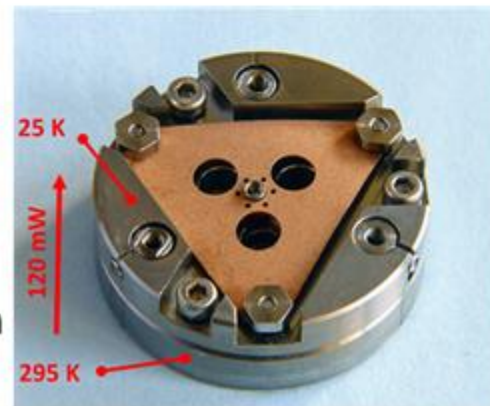
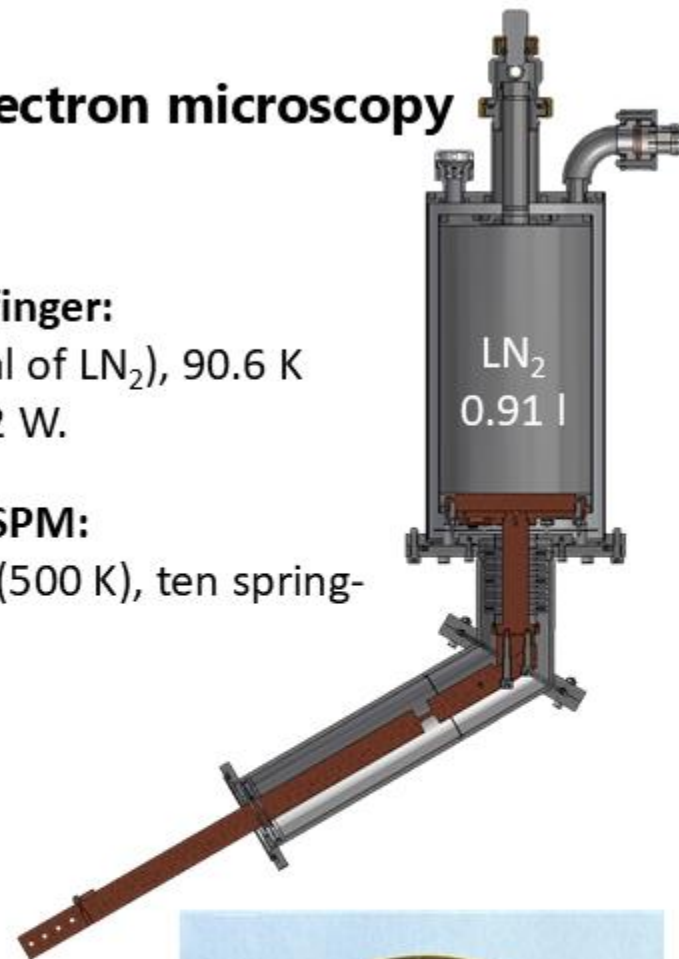
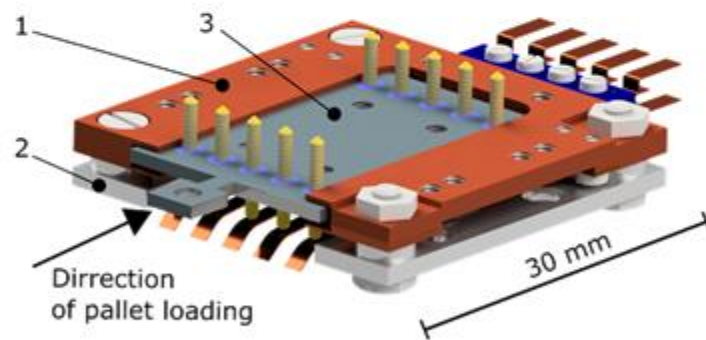




Contact:
Pavel Urban, urban@isibrno.cz,
Group of Cryogenics and Superconductivity

Examples:

- **Liquid nitrogen Dewar vessel with cold finger:** adaptable design, 11.1 h (refilling interval of LN₂), 90.6 K (ultimate temperature) for heat load of 2 W.
- **Cryogenic sample holder for UHV SEM/SPM:** wide temperature range of 20 K – 300 K (500 K), ten spring-loaded electrical contacts.



- **Low conductive thermal insulation pad with high mechanical stiffness:** heat flow 120 mW between top (bottom) plate at 20 K (300 K), 30 mm (diameter), 12 mm (height), 34 g (mass).



**TESCAN extends
an invitation
to traverse the
realms of career
possibilities
alongside us.**





What Makes TESCOAN Stand Out?



Professionalism



Passion and Enthusiasm



Winning together



Courage



Explore Current Opportunities:

- Research & Development Engineers
- Application Specialists
- Sales and Marketing Professionals
- Customer Support & Service



Scan me!

**We want to
hear from you!**

jobs@tescan.com

**See more information
about the Brno site**



The working group for students and early-career post-doctoral researchers and other young professionals within the CSMS



Online & Offline Meetings

Our members are passionate about science and especially microscopy and we want to help them to get to know each other and build efficient learning paths.

Stipends & Travel Money

Young members of the Czechoslovak Microscopy Society can apply for valuable stipends and travel money for European and World microscopy conferences.

Industry Visits

Industrial knowledge is a crucial element in preparing students to excel in their professional careers. We mediate the contact between industry and students.

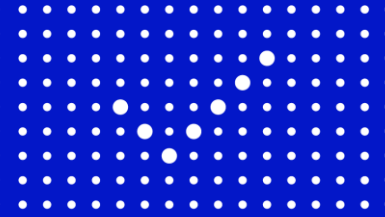
International Contact

International contact in science is vital as it fosters collaboration, enabling the exchange of diverse ideas and expertise, ultimately driving innovation and knowledge.



If you are a student or early carrier microscopist (up to 5 years after finishing your degree), join us on our journey to discover the wonders of the world of microscopy...





**BRNOREGION
MICROSCOPY**



empowered